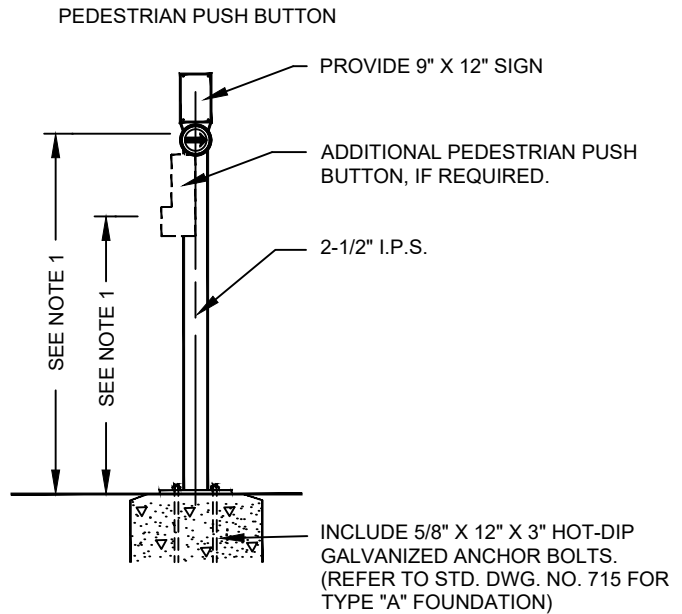
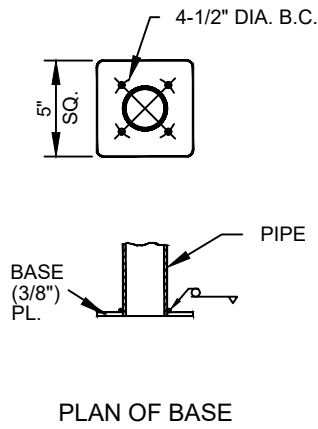


R10-3e
9" X 12"

PEDESTRIAN PUSHBUTTON
FOR 2 1/2" POSTTOP MOUNTING



NOTES

1. FACE OF PEDESTRIAN PUSH BUTTON SHALL NOT BE LOCATED MORE THAN 10" FROM EDGE OF PUSH BUTTON CLEAR SPACE. PEDESTRIAN PUSH BUTTONS SHOULD BE MOUNTED 42" ABOVE THE FINISHED SURFACE BUT SHALL NOT BE MOUNTED MORE THAN 48" ABOVE THE FINISHED SURFACE.
2. THE FORCE REQUIRED TO ACTIVATE CONTROL SHALL BE 0.56 TO 0.81 LBF WITH A MINIMUM RELEASE FORCE OF 0.25 LBF.
3. POST SHALL BE HOT-DIP GALVANIZED BY MANUFACTURER OR PRIME PAINTED BY MANUFACTURER AND FINISH PAINTED BY CONTRACTOR PER SPECIFICATIONS AND AS REQUIRED BY THE AGENCY.

		AGENCY APPROVED	B	C	H		M	N	R
SPECIFICATION REFERENCE		UNIFORM STANDARD DRAWINGS CLARK COUNTY AREA							
		PEDESTRIAN PUSH BUTTON POST FOR 2 1/2 INCHES POSTTOP MOUNTING							
		DATE 12-10-20	DWG. NO. 805						