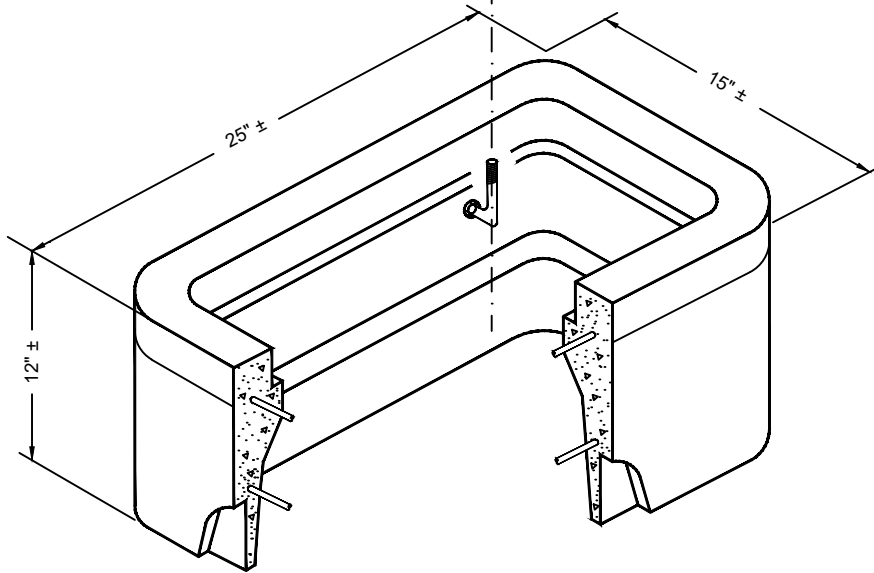
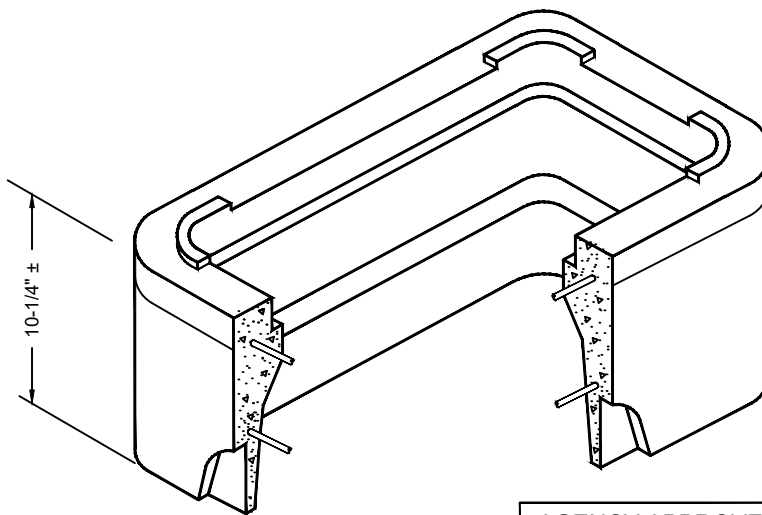


POLYMER SIDEWALK COVER
MARKED "TRAFFIC SIGNAL"



PRECAST REINFORCED
CONCRETE BODY



PRECAST REINFORCED CONCRETE
EXTENSION. (MUST NOT BE USED
UNLESS SPECIFIED.)

NOTES

1. TOP OF UTILITY BOXES INSTALLED IN SIDEWALK SHALL HAVE NO VERTICAL SURFACE DISCONTINUITIES GREATER THAN 1/4" WITH ADJACENT SIDEWALK, HAVE NO GAPS GREATER THAN 1/2", REGARDLESS OF CONSTRUCTION TOLERANCES, AND BE FIRM, STABLE, AND SLIP RESISTANT.
2. SEE DRAWING NO. 709 FOR COVER TO BE USED IN STREET AND UNDEVELOPED AREAS.
3. ALL DIMENSIONS ARE NOMINAL.

AGENCY APPROVED	B	C	H	L	M	N	R
-----------------	---	---	---	---	---	---	---

SPECIFICATION REFERENCE	

UNIFORM STANDARD DRAWINGS CLARK COUNTY AREA	
NO. 5 PULL BOX	
DATE 01-09-20	DWG. NO. 706